

Swivel mounting bracket

The gimbal mount allows the display unit to swivel around when desktop mounted. You can adjust the angle of the display for optimal viewing comfort.



8.4" COLOR LCD RADAR
Model 1815

SPECIFICATIONS OF Model 1815

ANTENNA
Type: ø488 mm (19") radome
Beamwidth: Horizontal 5.2°, Vertical 25°
Rotation Speed: 24 rpm

RF TRANSCIVER
Frequency: 9410 ±30 MHz (X-band)
Pluslength & PRR: 0.08 µs/360 Hz (0.0625-0.5 NM)
0.3 µs/360 Hz (0.75-2 NM)
0.8 µs/360 Hz (3-36 NM)

Peak Output Power: 4 kW
IF Frequency: IF : 60 MHz
BW: 20 MHz (0.0625 to 0.5 NM)
4.5 MHz (0.75 to 36 NM)

DISPLAY
Display Type: 8.4" color LCD
Effective Display Area: 128.2 (W) x 170.9 (H) mm
Pixel Number: 480 x 640 (VGA)
Presentation Mode: Head-up, Course-up*, North-up*, True view*
True motion**
Target tracking (TT)*: Up to 10 targets
AIS**: Up to 100 targets
* Heading data required
** Heading data and position data required

Language: English, French, Spanish, German, Italian, Portuguese, Danish, Norwegian, Russian, Chinese, Thai, Vietnamese, Indonesian, Burmese, Korea, Japanese

Accuracy: Range : 1.0% of range in use or 0.01 NM, whichever is greater

Range and Range Ring Interval: Bearing: EBL accuracy ±1°
Range : 0.0625, 0.125, 0.25, 0.5, 0.75, 1, 1.5, 2, 3, 4, 6, 8, 12, 16, 24, 36 NM
Ring : 0.03125, 0.0625, 0.125, 0.125, 0.125, 0.25, 0.25, 0.5, 0.5, 1, 1, 2, 2, 3, 4, 6, 12 NM

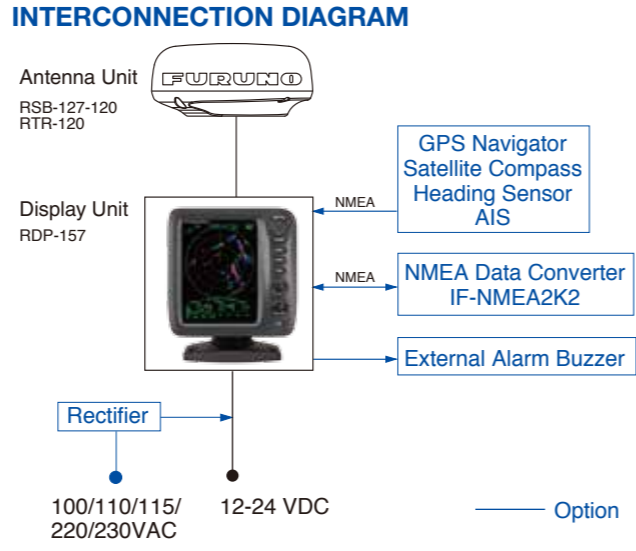
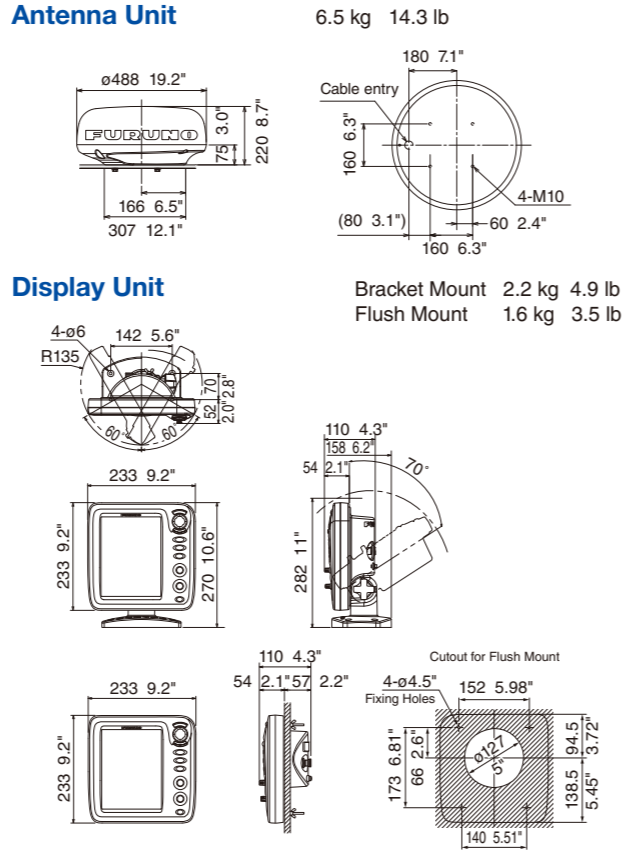
EchoTrail: Type : True* or relative trails
Interval : 15, 30 s, 1, 3, 6, 15, 30 min., or continuous
* Heading data required

Minimum Range: 25 m
Range Discrimination: 25 m
Interface (NMEA0183 format) Input : ALR, BWC, BWR, DBT, DPT, GGA, GLL, GNS, GSA, GSV, HDG, HDT, HDM, MTW, MWV, RMB, RMC, THS, TTM, VDM, VHW, VTG, VWR, VWT, XTE, ZDA
Output : ACK, RSD, TLL, TTM

ENVIRONMENT
Temperature: Antenna Unit: -25 °C to +55 °C
Display Unit : -15 °C to +55 °C
Waterproofing: Antenna Unit: IPX6
Display Unit : IP56

POWER SUPPLY
12 -24 VDC: 3.2-1.6 A

- EQUIPMENT LIST**
- Standard**
1. Display Unit RDP-157
 2. Antenna Unit RSB-127-120
 3. Antenna Cable 10/15/20/30 m specify when ordering
 4. Power Cable 3.3 m
 5. Spare Parts & Installation Materials
- Option**
1. Antenna Bracket OP03-209
 2. External Buzzer OP-3-21
 3. NMEA Data Converter IF-NMEA2K2
 4. Flush Mount Kit



Beware of similar products. All brand and product names are registered trademarks, trademarks or service marks of their respective holders. SPECIFICATIONS SUBJECT TO CHANGE WITHOUT NOTICE



FULLY AUTOMATIC GAIN FOR SIMPLIFIED USE

Compact Radar Ensuring Safety at Sea

- ▶ Highly visible display makes it possible for you to recognize surrounding environment at a glance
- ▶ High sensitivity allows you to acquire other vessels, buoys and objects on the sea surface, and coasts
- ▶ Penetrate sudden fog or compensate for poor visibility in stormy weather
- ▶ Reliable coastline images, even in poor visibility
- ▶ Assist sailing in the night with high-sensitivity, reliable analyzing system
- ▶ Compact radome antenna with 4 kW transmitter output power
- ▶ Low power consumption of 38 W at the most
- ▶ Easy installation and intuitive operation
- ▶ Advanced auto-adjust settings for Gain/Sea clutter/Rain clutter
- ▶ Fast Target Tracking™ (TT)
- ▶ True trail mode
- ▶ True motion mode
- ▶ True view mode
- ▶ User-programmable function key
- ▶ Swivel mounting bracket to adjust the angle of the display unit

The MODEL1815 is an 8.4" color LCD radar designed for pleasure craft and small fishing boats. The Radar has easy-to-use, intuitive controls, while maintaining the high performance you expect from FURUNO products. Even in poor visibility such as fog or storms, the radar produces detailed pictures of coastline and targets at short ranges by utilizing narrow pulses and dual IF bandwidths. The waterproof display makes it ideal for exposed installations, such as fly bridges.

The MODEL1815 utilizes our Fast Target Tracking™, True Trail Mode and True View Mode technologies to ensure optimum performance in detecting and ranging targets of interest.



- MENU/ESC: Menu settings, Cancel key
- Cursor key: Menu selections
- ENTER: Enter key, AIS/TT select or acquire
- MODE: Select display mode, Measure target
- ALARM: Alarm settings, Set Guard zone
- FUNC: Function settings: TLL, Rings Brill, Heading Line Brill, Display Color, Echo Color, Display Mode, Data Box, Trail Time, Trail Erase etc.
- RANGE: Select range scale, Adjust GAIN control, Reduce SEA/RAIN clutter
- DATA BOX: Show data box (nav/target/both)
- TX: Power ON/OFF, Swich Stand-by and Transmit, Display Brill

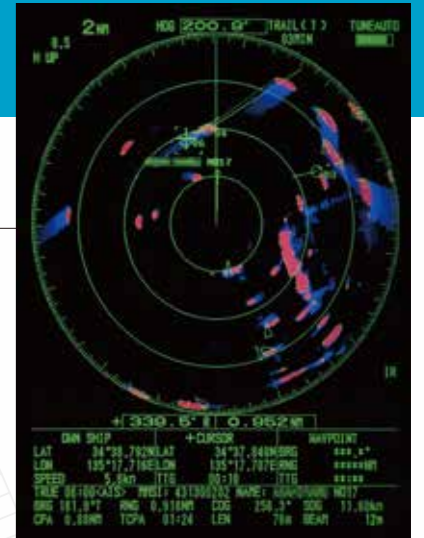
8.4" COLOR LCD RADAR

Model 1815

Fast Target Tracking™ (TT) function

Fast Target Tracking™ (TT) function manually or automatically acquires and tracks 10 targets. After selecting a target, it only takes a few seconds for a speed and course vector to be displayed. With accurate tracking information, estimation of other vessel's course and speed is made easier.

Target Tracking (TT) Symbols



AIS display

When connecting a FURUNO FA-30/50 AIS unit, up to 100 AIS targets can be tracked and displayed on the Radar screen. The AIS improves safety during travel by sharing the status and position of your vessel with other AIS-equipped vessels nearby. You can easily read detailed information about other AIS equipped vessels nearby, such as speed and heading.

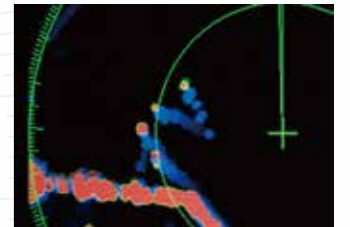
AIS Symbols



True Trail mode

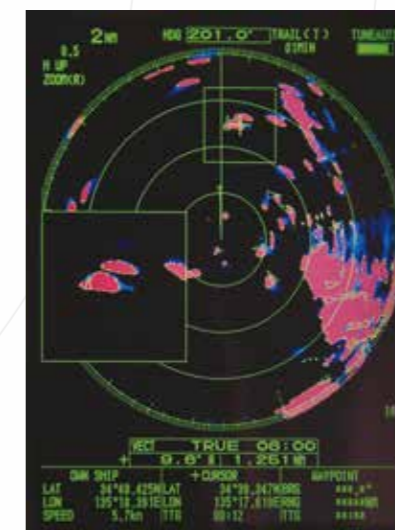
When using the True Trail Mode, moving objects will show up on the main screen with a gradational trail. These trails make it possible to see the movement of nearby vessels in the blink of an eye.

* Heading data and positional data are required.



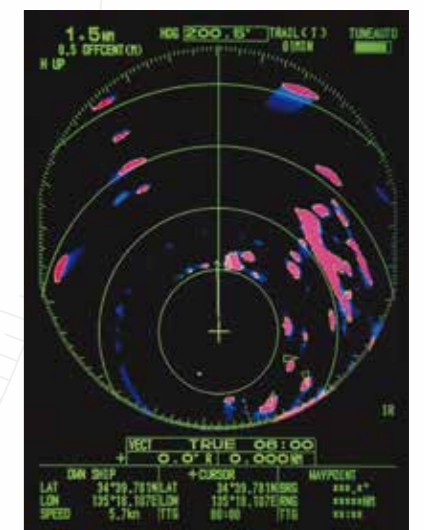
Gain/Sea/Rain setting menu

To display targets clearly and accurately, the gain must be adjusted. The MODEL1815 can do this automatically for you. By automatically adjusting the gain, the Radar eliminates unnecessary echoes and display a clear image.



Zoom mode

The Zoom function expands the length and width of a selected target with the magnification of 2.0, in the zoom window.



Off Center mode

Own ship position can be shifted to a pre-registered point on the screen. This allows the operator to focus on a specific area ahead of or around the vessel without losing track of the position.

Adjustable display colors

You can select the color scheme depending on your environment. From brightly sunlit to dark of the night, displayed images can always be seen.

